

4

STAND-BY GENERATOR

Last Update: 06/01/07

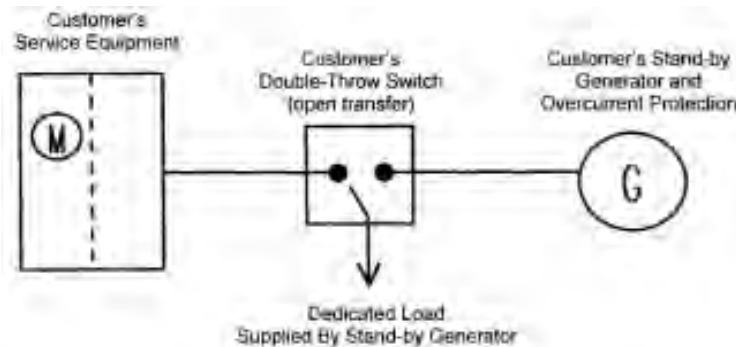
STAND-BY GENERATOR AND MULTIPLE SERVICE TRANSFER SWITCH REQUIREMENTS

WARNING

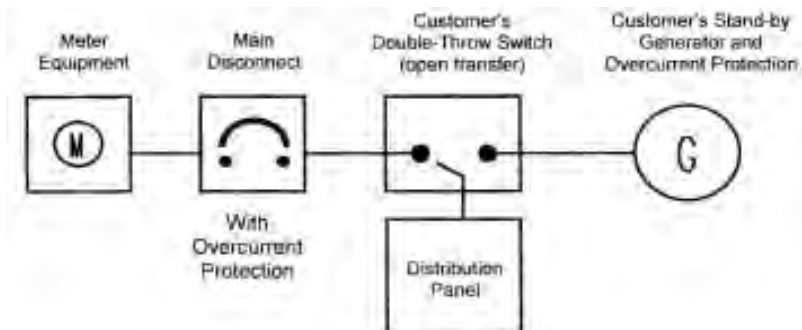
Energizing equipment connected to the ED3 electric distribution system could act as a source of electrical back-feed, causing injury or death to electrical utility workers working on the overhead or underground power lines in your area.


1. For Customer load normally served by ED3, where the load may be switched to a generator or alternate service, a visible, open transition type transfer switch shall be installed (circuit breakers are not considered a visible disconnect). This switch shall electrically and mechanically prevent connection of the Customer's generator or paralleling of services to ED3's grid (see figure below).
2. For distributed generation services, where the Customer-owned generator will be connected to ED3's grid, generators must conform to the requirements set forth in ED3 Interconnection Guidelines for Distributed Generators and require an Interconnection Agreement. This document can be obtained by contacting ED3 Customer Services at (520) 424-9021.
3. It is the Customer's responsibility to secure and connect the stand-by generator.
4. ED3 reserves the right to approve and inspect all installations.

CONNECTION OF STAND-BY GENERATOR SUPPLYING ONE CIRCUIT




CONNECTION OF STAND-BY GENERATOR SUPPLYING CUSTOMER'S ENTIRE LOAD



	ELECTRICAL DISTRICT NO. 3	Date: 06-01-07
	ENGINEERING CONSTRUCTION STANDARDS	Rev. 0
	SECTION 4	Approval: JH
	STAND-BY GENERATOR & MULTIPLE SWITCH TRANSFER REQUIREMENTS	Page 1 of 2

THIS PAGE
INTENTIONALLY
BLANK

 Electrical District No. 3	ELECTRICAL DISTRICT NO. 3	Date: 06-01-07
	ENGINEERING CONSTRUCTION STANDARDS	Rev. 0
	SECTION 4	Approval: JH
	STAND-BY GENERATOR & MULTIPLE SWITCH TRANSFER REQUIREMENTS	Page 2 of 2